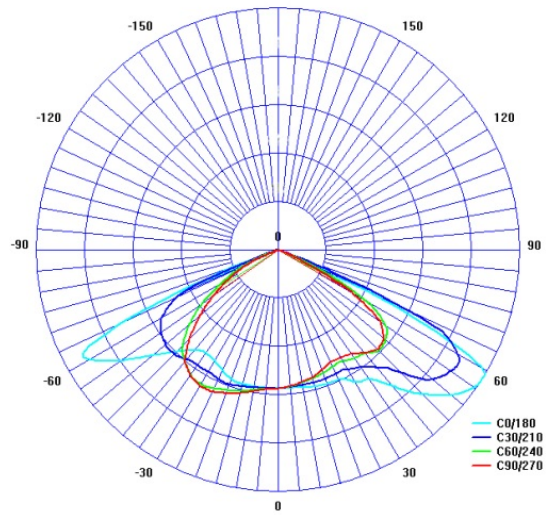


CIS - Centrul pentru Iluminat cu Semiconductori (Semiconductors Lighting Center)

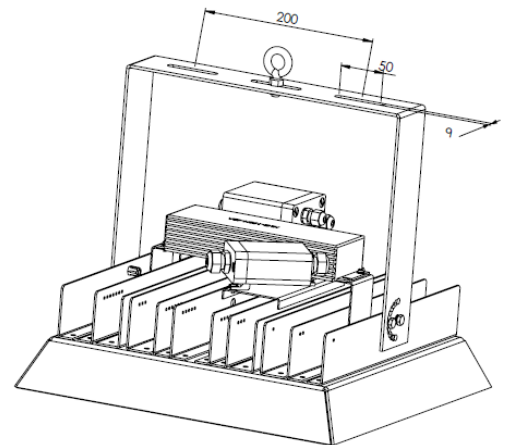
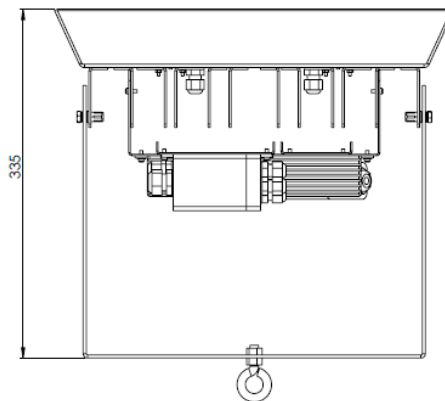
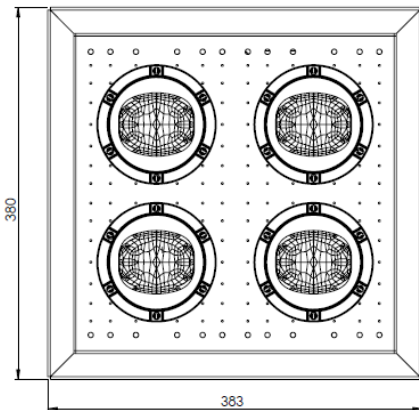
**TECHNICAL SHEET
 LED Luminary – CASTOR 4M**

Code	RS81455
Application	Industrial
Operating voltage	230 V~
Mains frequency	50 Hz
Power consumption	145 W ± 10 %
Power Factor (λ)	> 0.95
Total Harmonic Distortions	< 15 %
Insulation class	I
Luminous Flux	min. 17350 lm
Color temperature (CCT)	cold, neutral, warm
Color rendering index (IRC)	> 75
Optical / material	lens C
Ingress protection	IP65
Mechanical Shock	IK10
Operating temperature range	-30°C ... + 45 °C
Weight	6,9 Kg
Dimensions (L x W x H)	383 x 380 x 335 mm



Light Distribution Diagram

Shape and dimensions:



Applicable Standards:

- SR EN 60598-1:2009+A11:2009
- SR EN 60598-2-5:2001
- SR EN 62031:2009 art.13, 15
- SR EN 55015:2007+A1:2008+A2:2009
- SR EN 61000-3-2:2006+A1:2010+A2:2010
- SR EN 61000-3-3:2009