

CIS – Center for Semiconductor Lighting

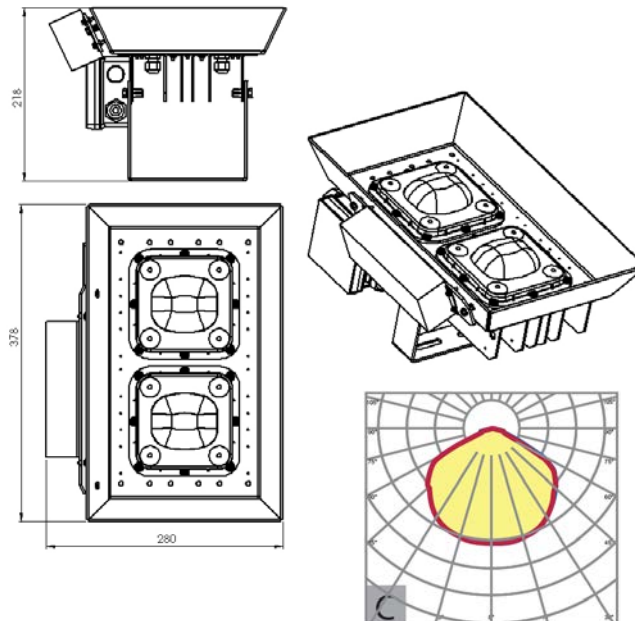
TECHNICAL SHEET
Antiex LED light CETEX 2MEx

Code	RS81951B/BL/BL2
Application	Antiex
Operating voltage	230 V ~
Mains frequency	50 Hz
Power consumption	70 W ± 10 %
Power Factor (λ)	0,95
Insulation class	I
Luminous Flux	min. 8300 lm
Color temperature (CCT)	warm, neutral, cold
Color rendering index (IRC)	> 80
Optical / material	Diffuser Or lens
Ingress protection	IP65
Mechanical Shock	IK10
Weight	4,1 Kg
Dimensions (L x W x H)	378 x 225 x 332 mm

Classification and operatin in accordance with SR EN 60079-0:2010/ SR EN 60079-15:2006

PROTECTION TYPE	nAnC
	compliance SR EN 60079-15:2006
Zone	2 / 3
Equipment group	IIA
Equipment category	Gc
Temprature class	T4 / T5
Operating temperature range	-30°C ≤ T_{amb} ≤ +45°C

Shape and dimensions:



Applicable Standards:

- SR EN 60079-0:2010
- SR EN 60079-15:2006
- SR EN 60598-1:2009+A11:2009
- SR EN 60598-2-5:2001
- SR EN 55015:2007+A1:2008+A2:2009
- SR EN 61000-3-2:2006+A1:2010+A2:2010
- SR EN 61000-3-3:2009
- SR EN 61547:2010